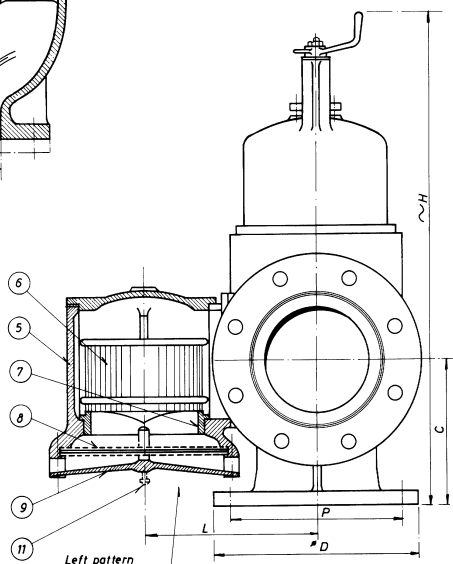
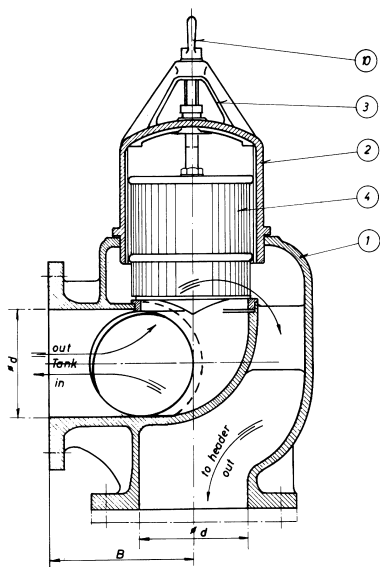


drwg. no.:	1500-PH
date:	770218
model:	-
drw. rev.:	-
scale:	-
material:	-

Type PH

Automatic weightloaded pressure vacuum/valve

12	300	1045	375	375	525	445	400	12x22
10	250	800	270	260	415	395	350	12x22
8	200	725	250	240	340	340	295	8x22
6	150	675	215	200	325	285	240	8x22
$\varnothing d$ inch	$\varnothing d$ mm	H mm	B mm	C mm	L mm	$\varnothing D$ mm	P-mm drilling	Holes drilling



Opening standard:

- Pressure: 1400 mm W.G.
- Vacuum: 350 mm W.G.

Built and designed in accordance with U.S. Coast Guard-specifications

*Approved by:
Lloyds Register of Shipping
Det Norske Veritas
Bureau Veritas
American bureau of Shipping*

8"-10" and 12" with twin vacuum valves

Parts list

Item	Description	Spec. 1	Spec. 2
1	Valve body	Bronze	Cast iron
2	Pressure house	Bronze	Bronze
3	Top cover	Bronze	Bronze
4	Pressure disc	Bronze	Bronze
5	Vacuum house	Bronze	Cast iron
6	Vacuum disc	Bronze	Bronze
7	Vacuum seat	Bronze	Bronze
8	Double protecting screen	Stainless steel	Stainless steel
9	Vacuum guard	Bronze	Bronze
10	Handle	Steel	Steel
11	Check lift, optional	Brass	Brass

This drawing is for guidance only. Other sizes, materials, flange standards, settings, and versions are available. Request a specific quotation or approval drawing before implementing data.