

Type PL 1775 and type PLC 1776

In-line Flame Arresters

Type PL is suitable for installation vertically and horizontally because it is self-draining. The net free area is reduced compared to that of type PLC which on the other hand must be installed vertically because it is not self-draining. Both types have limitations in application and careful consideration into this complex issue is needed. Both types are suitable for group II A gas and low velocity explosions (deflagation). Reference is made to our special report on flame arresters. Please consult us for details on application and location.



*In-line flame arrester
type PL*



*In-line flame arrester
type PLC*

Features of type PL 1775 and PLC 1776:

- Well-proven design
- Low pressure drop
- Flame screen/elements are easily removed for cleaning/inspection
- Simple and rigid design
- Flexibility in installation

In-line flame arresters type PL 1775 and PLC 1776

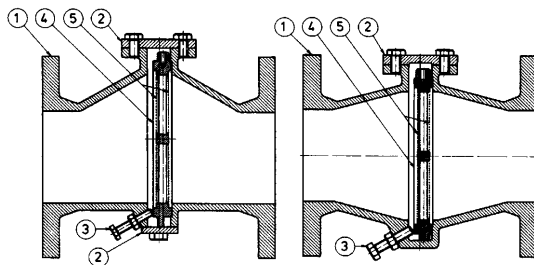
Specification: Type PL 1775 and PLC 1776

Specifications	
Type:	PL and PLC
Dimensions:	See drawing nos. 1775 PL and 1776 PLC
Capacity:	Up to 30,000 Nm ³ /h.*
Ice layer:	Not applicable
Materials:	Cast iron, nodular iron, stainless steel

Nominal sizes
PL: ND100-800
PLC: ND50-250
Options
Thermo couplings, heating jacket.

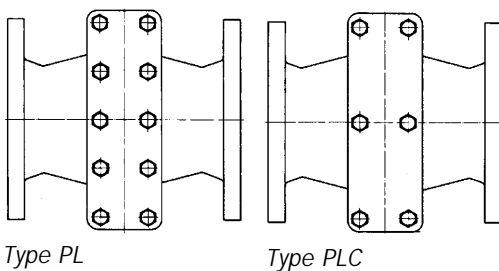
Certification**
Depending on application.
For further information please refer to our special report on flame arresters.

* Depending on vessel specification and the cargo vapor's physical properties.
 **For further information please refer to our special report on flame arresters.



Item	Description
1	Arrester body
2	Cover
3	Clamping screws
4	Netring
5	Double protecting

Available with any connection and in any material requested. Please ask for detail drawing and performance data sheets for any specific model and type.



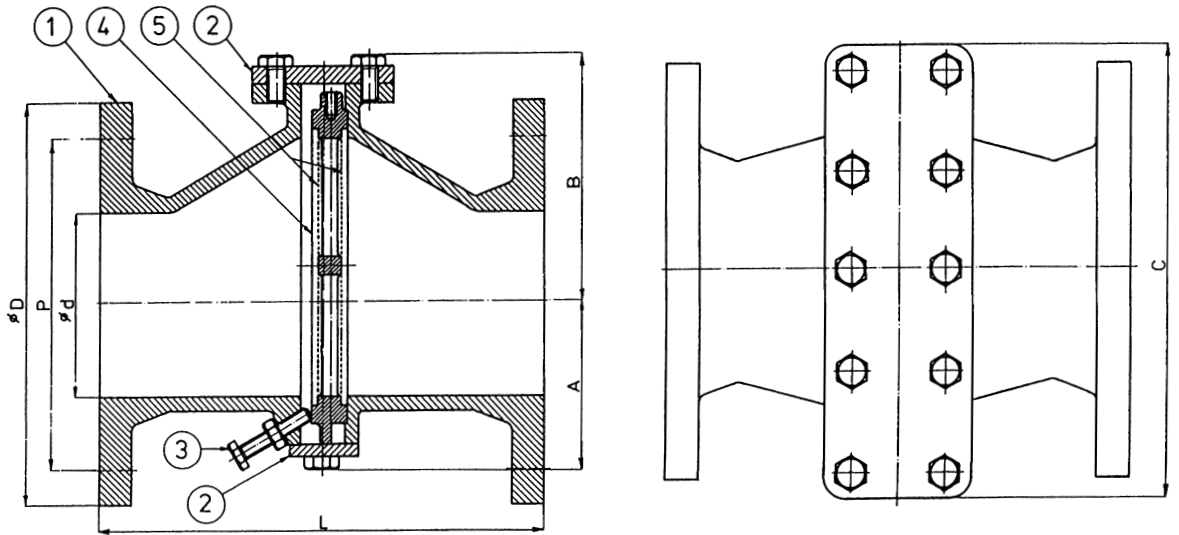
Item	Description
1	Arrester body
2	Cover
3	Clamping screws
4	Netring
5	Double protecting

drwg. no.:	1775
date:	822001
model:	-
drw. rev.:	-
drwg.:	AP
scale:	-
material:	-

Type PL

Flame arrester

32	800	960	525	985	1440	1015	950	24x*34
24	600	840	490	620	1040	780	725	20x*30
20	500	600	350	545	870	670	620	20x*25
18	450	500	320	460	766	615	565	20x*25
16	400	550	300	465	746	565	515	16x*25
14	350	550	210	345	594	505	460	16x*22
10	250	550	175	350	505	395	350	12x*22
8	200	410	165	260	430	340	295	8x*22
6	150	335	135	200	320	285	240	8x*22
4	100	250	100	140	240	220	180	8x*18
∅d inch	∅d mm	L mm	A mm	B mm	C mm	∅D mm	P-mm drilling	Holes



Parts list

Item	Description	Spec. 1	Spec. 2	Spec. 3*
1	Arrester body	Cast iron		Bronze
2	Top cover	Cast iron		Bronze
3	Clamping screw	Stainless steel		Stainless steel
4	Netring	Bronze		Bronze
5	Double protecting screen	Stainless steel		Stainless steel

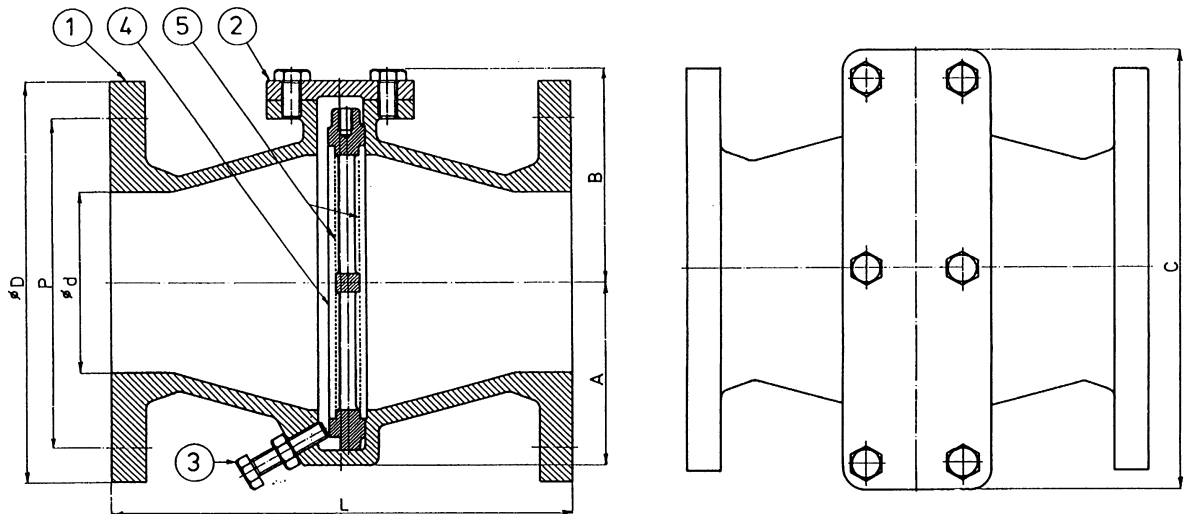
This drawing is for guidance only. Other sizes, materials, flange standards, settings, and versions are available. Request a specific quotation or approval drawing before implementing data.

drwg. no.:	1776
date:	822101
model:	-
drw. rev.:	-
drwg.:	AP
scale:	-
material:	-

Type PLC

Flame arrester

10	250	450	252	275	530	395	350	12x°22
8	200	410	186	215	430	340	295	8x°22
6	150	325	138	165	320	285	240	8x°22
4	100	250	100	115	240	220	180	8x°18
3	80	155	85	115	196	200	160	4x°18
2	50	155	66	75	160	165	125	4x°18
°d inch	°d mm	L mm	A mm	B mm	C mm	°D mm	P-mm drilling	Holes drilling



Parts list

Item	Description	Spec. 1	Spec. 2	Spec. 3
1	Arrester body	Cast iron	Stainless steel	Bronze
2	Cover	Cast iron	Stainless steel	Bronze
3	Clamping screws	Stainless steel	Stainless steel	Stainless steel
4	Netring	Bronze	Stainless steel	Bronze
5	Double protecting	Stainless steel	Stainless steel	Stainless steel

This drawing is for guidance only. Other sizes, materials, flange standards, settings, and versions are available. Request a specific quotation or approval drawing before implementing data.