

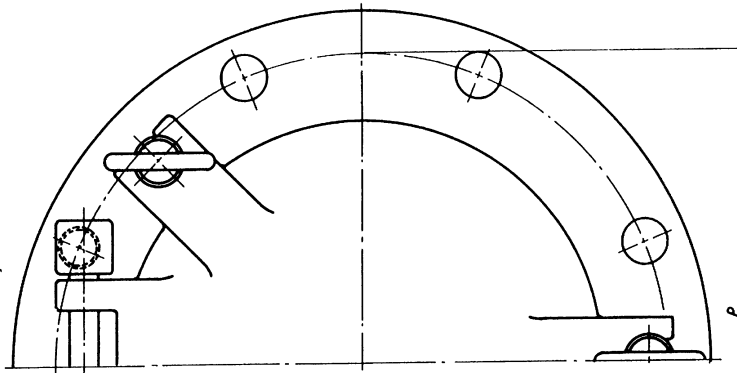
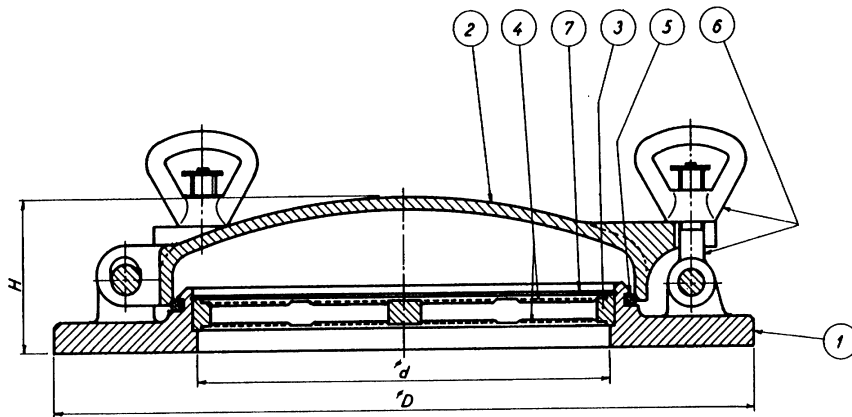
7.14

drwg. no.:	2224
date:	770218
model:	-
dr.w. rev.:	-
drwg.:	HHP
scale:	-
material:	-

# Type AC

Cover for venting

14	350	125	505	460	16x3/4
12	300	110	445	400	12x3/4
10	250	95	395	350	12x3/4
8	200	65	340	295	8x3/4
<sup>°</sup> d inch	<sup>°</sup> d mm	H mm	<sup>°</sup> D mm	P-mm	Holes drilling



Approved by:  
 Lloyds Register of Shipping  
 Det Norske Veritas  
 Bureau Veritas  
 American bureau of Shipping

## Parts list

Item	Description	Spec. 1	Spec. 2
1	Flange	Cast iron	Bronze
2	Cover	Cast iron	Bronze
3	Netring	Bronze	Bronze
4	Double protecting screen 20x20/sq.inch	Stainless steel	Stainless steel
5	Gasket	Neoprene	Neoprene
6	Locking device	Bronze	Bronze
7	Locking spring	Stainless steel	Stainless steel

This drawing is for guidance only. Other sizes, materials, flange standards, settings, and versions are available. Request a specific quotation or approval drawing before implementing data.