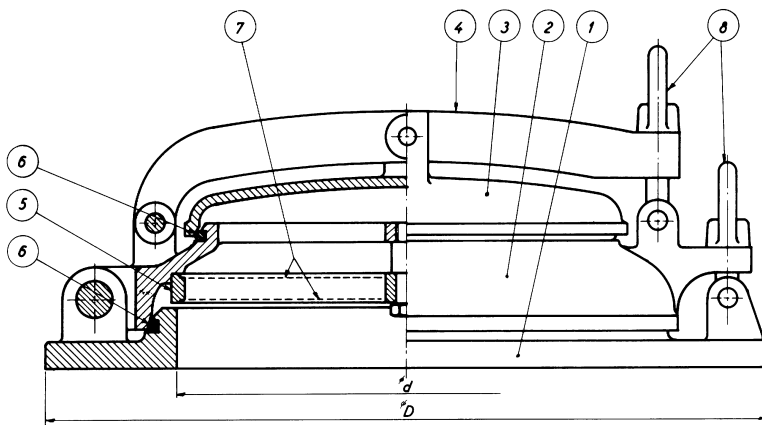


drwg. no.: 2225	
date: 740530	drwg.: HHP
model: -	scale: -
drw. rev.: -	material: -

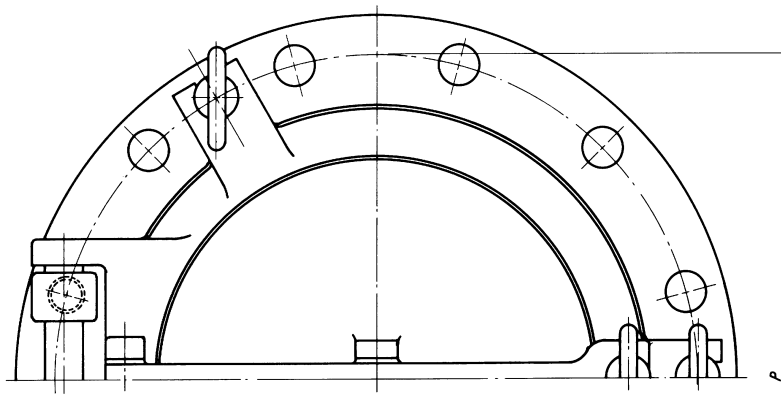
Type S

Double cover for venting

18	450	615	565	20x7/8
16	400	565	515	16x7/8
14	350	505	460	16x3/4
12	300	445	400	12x3/4
10	250	395	350	12x3/4
°d inch	°d mm	°D mm	P-mm drilling	Holes



Approved by:
 Lloyds Register of Shipping
 Det Norske Veritas
 Bureau Veritas
 American bureau of Shipping



Parts list

Item	Description	Spec. 1	Spec. 2
1	Flange	Cast iron	Bronze
2	Screen cover	Cast iron	Bronze
3	Top cover	Cast iron	Bronze
4	Clamp	Cast iron	Bronze
5	Netring	Bronze	Bronze
6	Gasket	Neoprene	Neoprene
7	Double protecting screen 20x20/sq.inch	Stainless steel	Stainless steel
8	Locking device	Bronze	Bronze

This drawing is for guidance only. Other sizes, materials, flange standards, settings, and versions are available. Request a specific quotation or approval drawing before implementing data.