

drwg. no.:	2273-3
date:	821802
model:	-
drw. rev.:	-
drwg.:	AP
scale:	-
material:	-

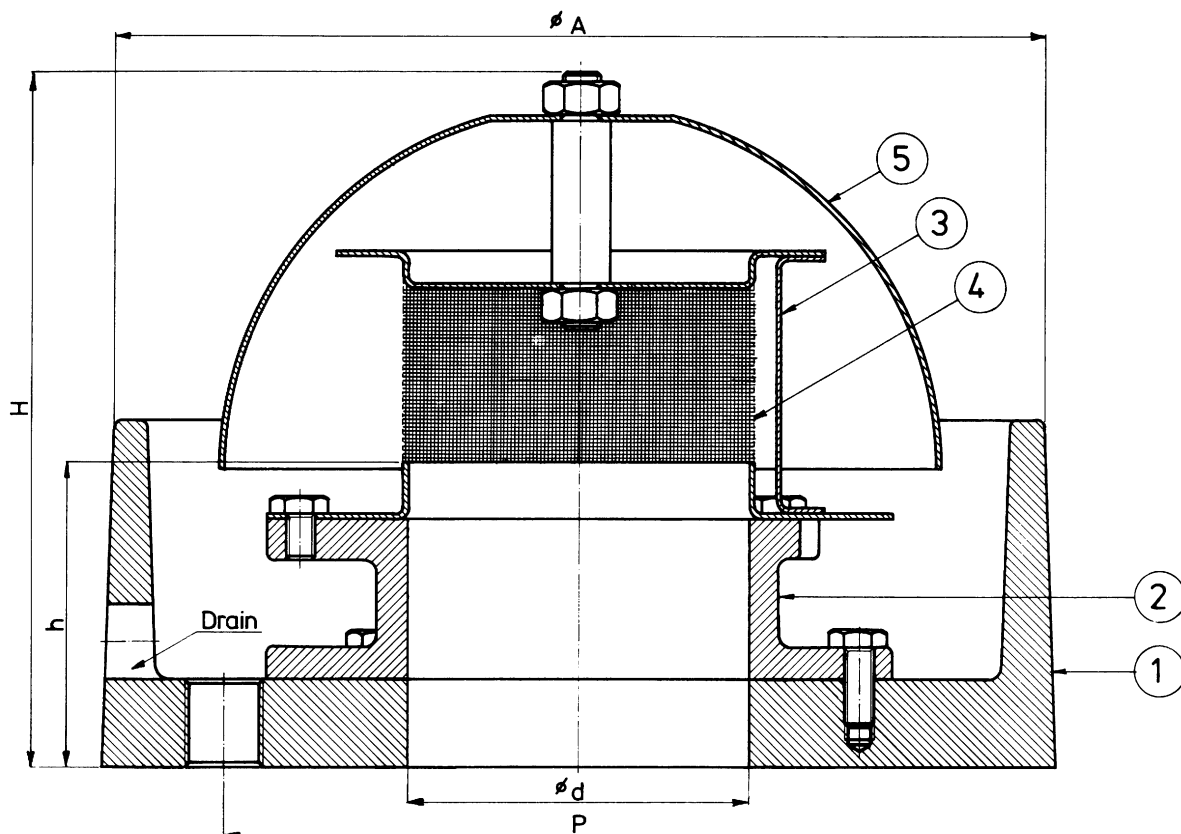
Type VFC

Flame arrester for vertical discharge

This drawing is for guidance only. Other sizes, materials, flange standards, settings, and versions are available. Request a specific quotation or approval drawing before implementing data.

6	150	300	210	95	240	8xM20
5	125	270	185	90	210	8xM16
4	100	230	160	75	180	8xM16
3	80	210	150	75	160	4xM16
2½	70	195	140	70	145	4xM16
2	50	170	130	65	125	4xM16

$\varnothing d$	$\varnothing d$	$\varnothing A$	H	h	P-mm	Holes
inch	mm	mm	mm	mm	drilling	



Parts list

Item	Description	Spec. 1	Spec. 2
1	House	Cast iron	Stainless steel
2	Spacing piece	Cast iron	Stainless steel
3	Netring	Stainless steel	Stainless steel
4	Protecting screen	Stainless steel	Stainless steel
5	Cover	Stainless steel	Stainless steel