

Type GFB 2325

Gas-Freeing Cover

Gas-freeing cover type GFB is the most safe and versatile means of individual gas-freeing for all tankers, regardless of IMO class.



Gas freeing cover type GFB

Type GFB is specially designed for non-inerted vessels and is long-endurance burning safe by means of a flame arrester featuring double crimped ribbon filters. This type is ideal with portable gas-freeing blower type PGF which will ensure rapid volume changes. Expelled gases are released vertically at a velocity of minimum 20 m/sec. Type GFB can be installed in combination with a Pres-Vac high velocity vent for the most economical installation, while at the same time observing the requirements for sizing and capacity according to the inert gas code. By using gas-freeing covers, not only is the ultimate safety achieved but also the ability to gas-free only one tank at a time. Type GFB is only available up to six inch execution because larger sizes cause excessive heat transmission and thus tank explosion in case of a fire resting on the cover for a period of time, i.e., long endurance burning. For inerted vessels, type GFB is adequate. Further, the use of a properly sized GFB is the most effective way of minimizing the crew's exposure, yet the fastest means of gas-freeing.



Gas-freeing cover type GFB mounted on high velocity vent type HS.

Features of type GFB 2325:

- Explosion safe
- Compact size
- High efflux velocity for clearing of deck level
- Available in materials compatible with any cargo
- Easy maintenance
- Rigid design
- 2 m. installation requirement
- Minimum exposure of crew to toxic vapor
- Minimum time consumption for gas-freeing operations

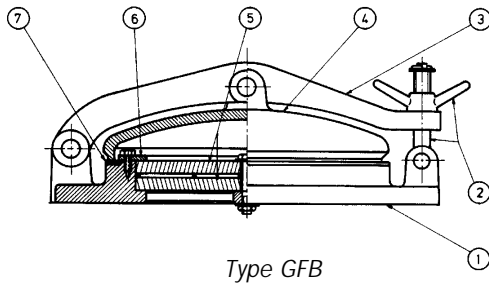
Gas-freeing cover

Specifications	
Type:	GFB 2325
Dimensions:	See drawing no. 2325
Capacity:	Up to 4,000 Nm ³ /h. See certified curves
Pressure drop:	See certified curves
Materials:	Cast iron, bronze, stainless steel
Efflux:	Vertical and min. 20 m/sec

Nominal sizes:*
ND50 - 150

Certification:
Approved and tested by the Danish Maritime Administration according to IMO MSC/Circ.677 and on that basis approved by all societies for use on non-inerted tankers. Installation to be in accordance with IMO MSC/Circ.731 and inert gas requirements.

*Type GFB 2325 is available from ND 50 - 150. Larger covers cannot pass the IMO fire test requirements for this special application.



Item	Description
1	Flange
2	Locking device
3	Clamp
4	Cover
5	Filter element, crimped ribbon
6	Retaining ring
7	Gasket

Available with any connection and in any material requested. Please ask for detail drawing and performance data sheets for any specific model and type.

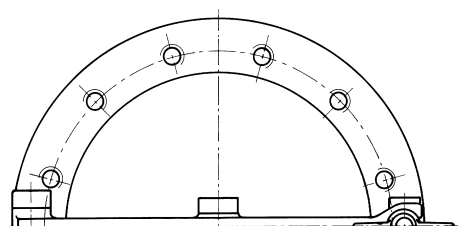
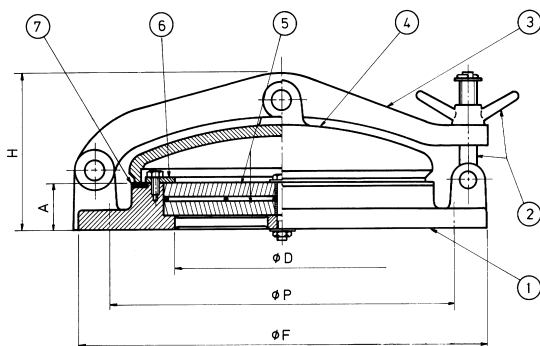
drwg. no.:	2325
date:	851411
model:	FM
drw. rev.:	-
material:	-

Type GFB

Gas freeing cover

This drawing is for guidance only. Other sizes, materials, flange standards, settings, and versions are available. Request a specific quotation or approval drawing before implementing data.

					Other standards available	Clear area	Min. flowrate [m³/h] at a velocity of 20 m/s
6	150	115	285	35	240 16xM20	108	779
5	125	115	254	35	210 8xM16	74	534
4	100	105	228	28	180 8xM16	48	347
3	80	105	200	28	160 4xM16	30	218
2½	65	95	185	28	145 4xM16	20	141
2	50	85	165	28	125 4xM16	7,8	56
D	D	H	F	A	P-mm	Holes	
inch	mm	mm	mm	mm	drilling	cm²	



IMO Type Test Approved
as per. IMO-MSC/Circ. 677
Item 7 available in PTFE on request

Parts list

Item	Description	Spec. 1	Spec. 2	Spec. 3	Spec. 4
1	Flange	Cast iron	Bronze	Stainless steel	Combinations of Spec. 1-2-3
2	Locking device	Bronze	Bronze	Stainless steel	
3	Clamp	Bronze	Bronze	Stainless steel	
4	Cover	Cast iron	Bronze	Stainless steel	
5	Filter element Crimped ribbon	Stainless steel	Stainless steel	Stainless steel	
6	Retaining ring	Bronze	Bronze	Stainless steel	
7	Gasket	Neoprene	Neoprene	PTFE	

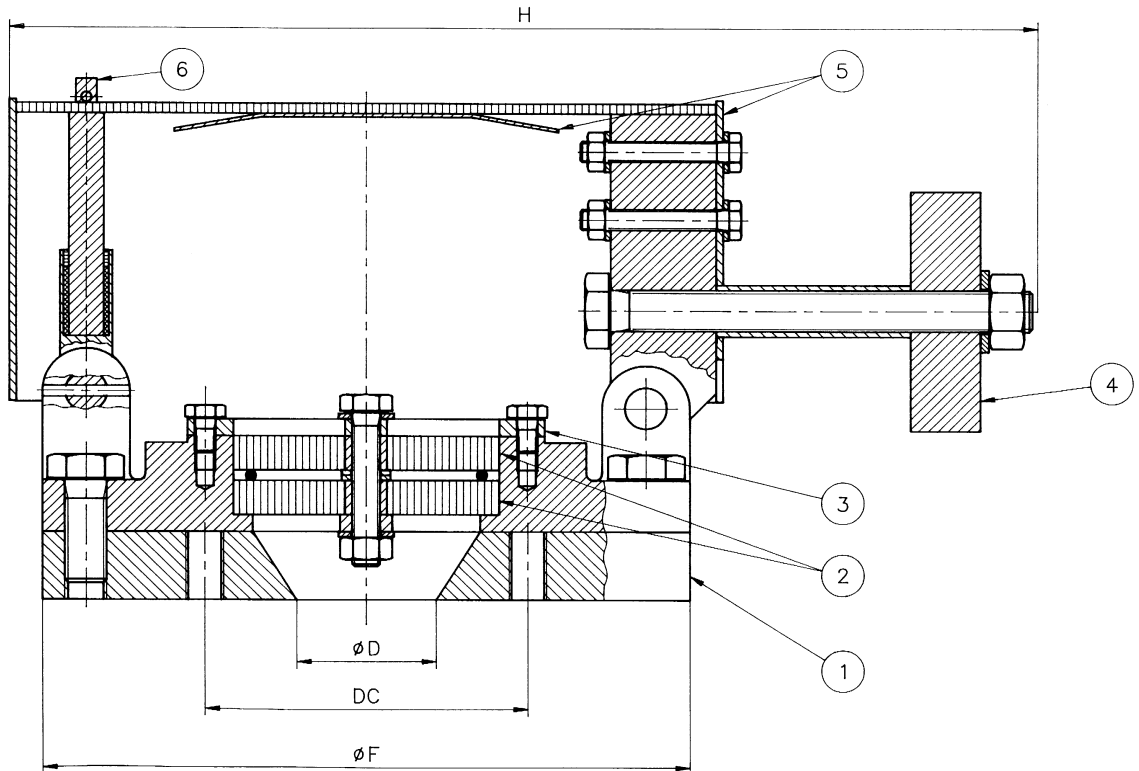
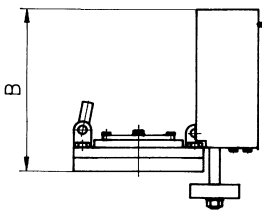
drwg. no.:	2325-1
date:	950714
model:	JAS
dr.w. rev.:	-
material:	-

Type GFB-H

Flame arrester unit for chemical carriers

2 1/2	65	365	185	305	145	4xM16
°D inch	°D mm	H mm	°F mm	B mm	P-mm drilling	Holes

Rain Shield in Open Position



Parts list

Item	Description	Spec. 1
1	Flange	Stainless steel
2	Filter elements	Stainless steel
3	Retaining ring	Stainless steel
4	Counter weight	Stainless steel
5	Rain shield	Stainless steel
6	Fuse element	Stainless steel

This drawing is for guidance only. Other sizes, materials, flange standards, settings, and versions are available. Request a specific quotation or approval drawing before implementing data.

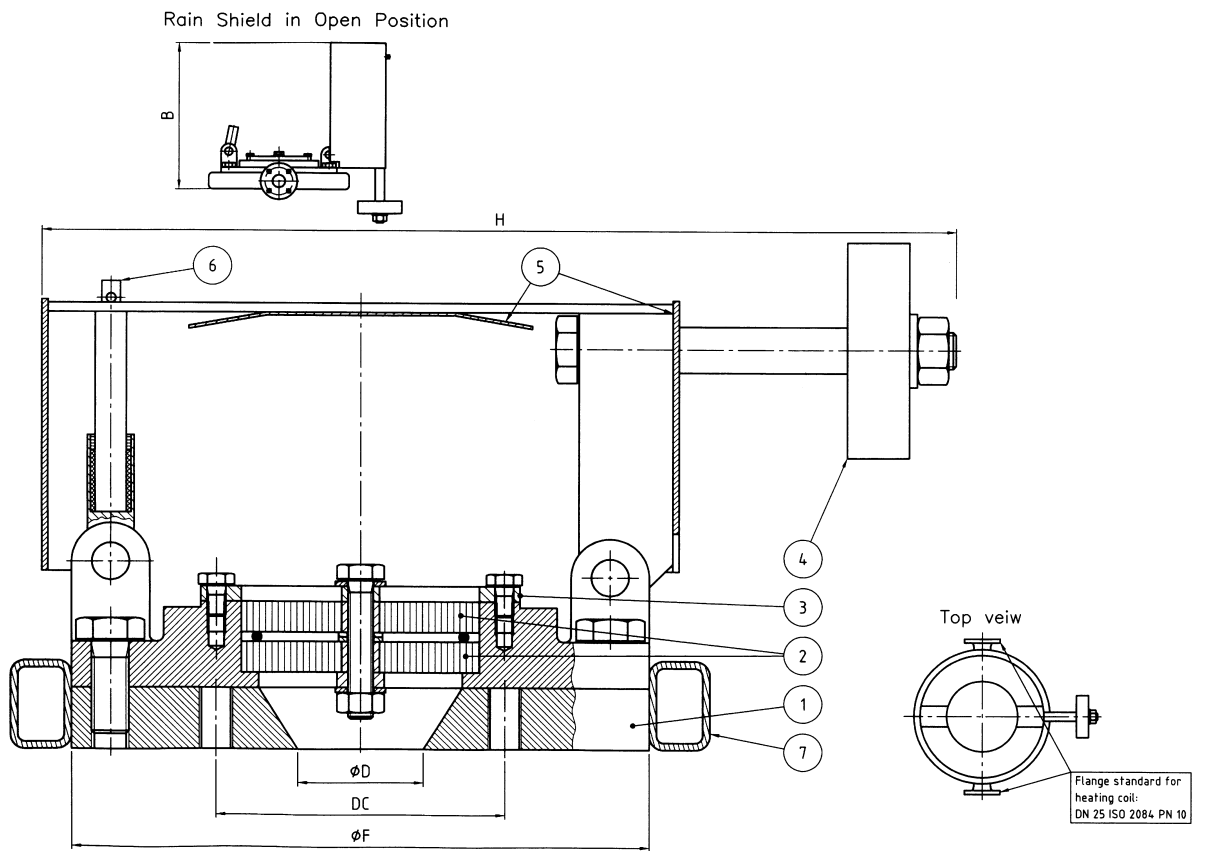
drwg. no.:	2325-1-1
date:	990325
model:	-
drw. rev.:	0
drwg.:	HHP
scale:	-
material:	-

Type GFB-H

Flame arrester unit for chemical carriers with heating jacket

2 1/2	65	365	185	305	145	4xM16
°D inch	°D mm	H mm	°F mm	B mm	P-mm drilling	Holes

This drawing is for guidance only. Other sizes, materials, flange standards, settings, and versions are available. Request a specific quotation or approval drawing before implementing data.



Parts list

Item	Description	Spec. 1	Spec. 2	Spec. 3
1	Flange	Stainless steel		
2	Filter elements	Stainless steel		
3	Retaining ring	Stainless steel		
4	Counter weight	Stainless steel		
5	Rain shield	Stainless steel		
6	Fuse element	Stainless steel		
7	Heating coil	Stainless steel		