

Type PGF

Gas-Freeing Blowers

Portable gas-freeing blower type PGF provides 10-20 times higher static pressure than any other portable blower available. This enables efficient gas-freeing regardless of pressure drop in the vent pipe system.

Portable gas-freeing blower type PGF is fully IMO approved in that the air intake is explosion safe as is required for all openings onboard tankers according to IMO MSC/Circ.677. The static pressure is above 1,300 mm WG and thereby allows for gas-freeing through extensive vent pipes and special flame passage preventing devices needed for vessels below 20.000 DWT. In comparison, normal axial blowers provide only 30-50 mm WG pressure which is inadequate against the pressure drop across flame arresting devices and piping. Type PGF is water driven and available in 3 models for different pressure and volume specifications. When deciding for the right version, please consult for detailed analysis of pressure drop throughout system (both sides) and supply pump characteristics.



Portable gas-freeing blower type PGF, displayed without wheel cart.

Features of type PGF:

- 1,300 mm WG static pressure
- High capacity
- Compact design
- IMO explosion safe tested
- Ideal for small chemical carriers and product tankers

Options: See specification

Portable high pressure gas-freeing blower

Specifications

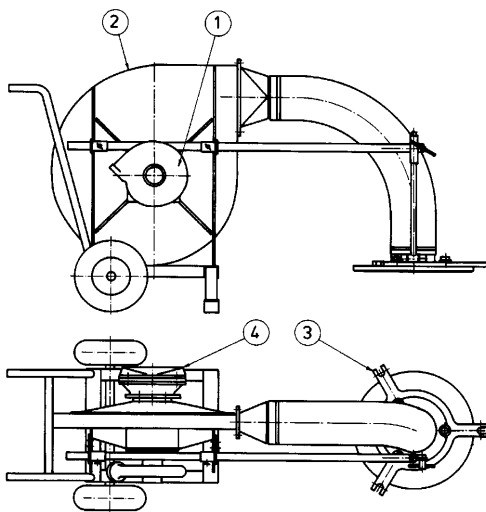
Type: PGF
Dimensions: See drawing no. 2349
Explosion safe: Yes, acc. to IMO MSC/- Circ. 677
Capacity: Up to 2,800 Nm³/h.
Static pressure: Up to 1,300 mm WG
Materials: See table below
Water consumption: See certified curves

Options:

Available for fixed installation and in 3 models to suit capacity requirement and maximum water consumption.

Certification:

Certified explosion safe according to IMO MSC/Circ. 677.



Item	Description	Material
1	Casing	Bronze
1	Shaft	Stainless steel
2	Blower	Stainless steel
3	Flange	High grade aluminium
4	Explosion trap	Stainless steel

Type PGF

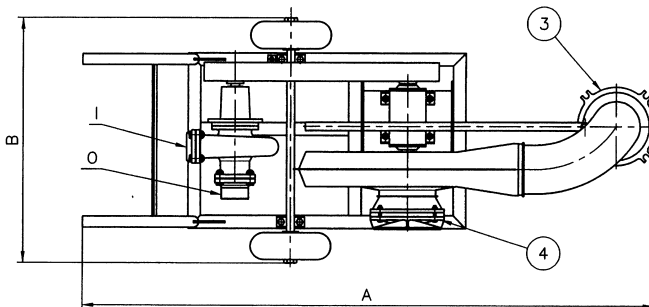
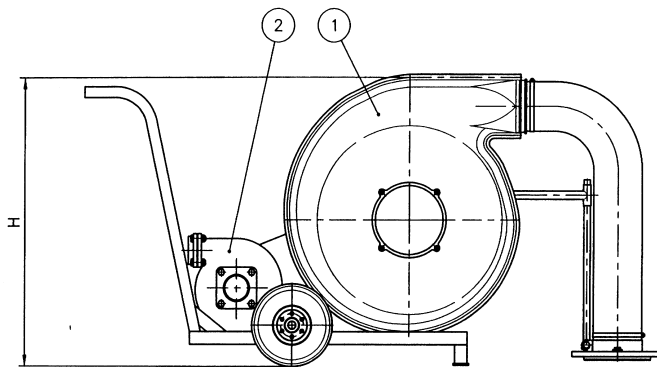
Available with any connection and in any material requested. Please ask for detail drawing and performance data sheets for any specific model and type.

drwg. no.:	2349
date:	970703
model:	-
drw. rev.:	2
drwg.:	HHP
scale:	-
material:	-

Type PGF

Portable gas-freeing fan

3	B5,1-425,2	200	77	91	2 ^{1/2"}	3"	130
Code no.	Size	A cm	B cm	H cm	I, inlet female BSP	O, outlet male BSP	Weight kg



Gas-freeing on non-inerted oil chemical tankers

1 Water turbine

Material:
Casing: Bronze
Shaft: Stainless steel

2 Blower

Material: Stainless steel

3 Adjustable Flange for tank cleaning opening

Material: Seawater resistant aluminium

4 Flash back tested flame screen

Material:
Casing: Seawater resistant aluminium
Screen: Stainless steel

Determination of actual configuration depends on available water pressure and flow volume at the location

This drawing is for guidance only. Other sizes, materials, flange standards, settings, and versions are available. Request a specific quotation or approval drawing before implementing data.