

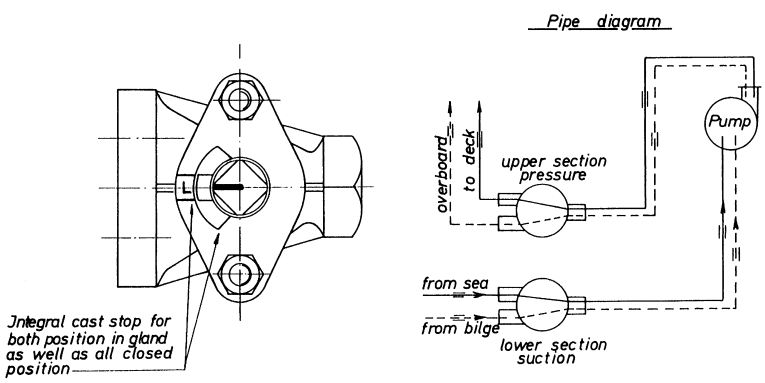
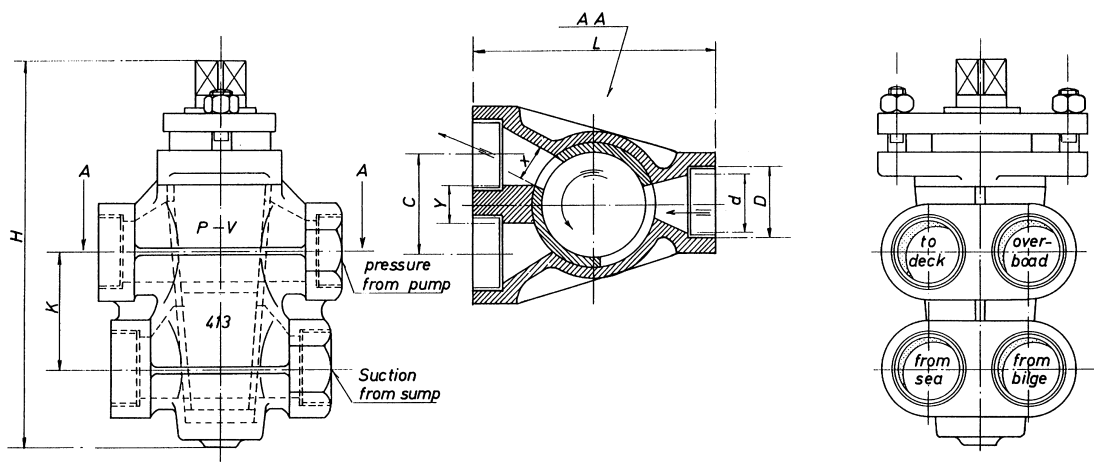
drwg. no.: 2006	
date:	drwg.:
model:	scale:
drw. rev.:	material:

Type P-V 413

Twin two way cock

2 1/2"	2 1/2"	400	210	95	110	x+5mm
2"	2"	380	200	80	100	x+5mm
1 1/2"	1 1/2"	270	160	65	70	x+5mm
°d	D	H	L	C	K	Y

This drawing is for guidance only. Other sizes, materials, flange standards, settings, and versions are available. Request a specific quotation or approval drawing before implementing data.



Approved by:
 Lloyds Register of Shipping
 Det Norske Veritas
 Bureau Veritas

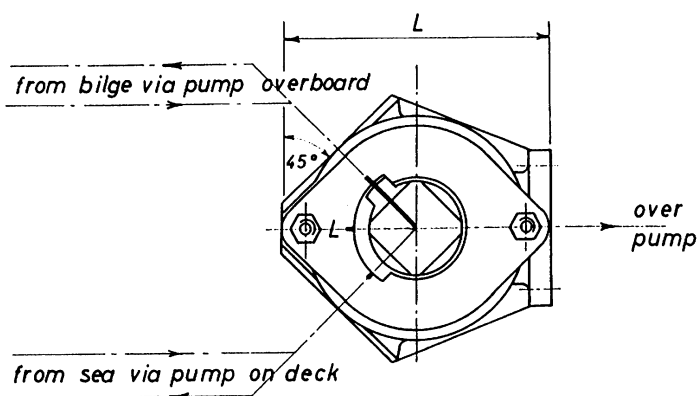
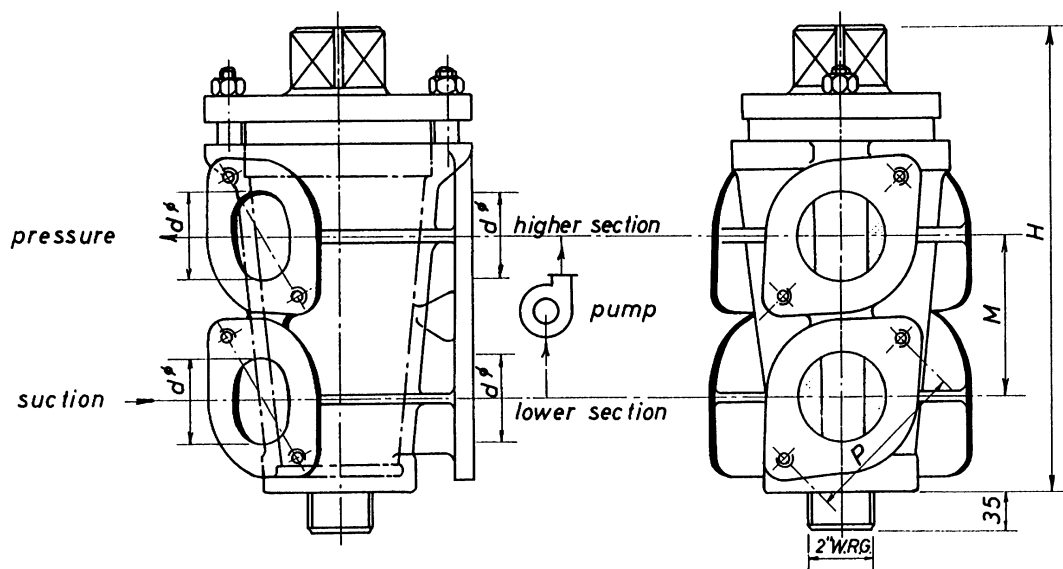
Testing: Pressure side 5 at.
 Material: Bronze

drwg. no.: 2230	
date: 741115	drwg.: -
model: -	scale: -
drw. rev.: -	material: -

Type P-V-413

Double two way cock

100	4	525	295	165	170	2 x 5/8"
80	3	425	245	145	150	2 x 5/8"
70	2 1/2	355	205	125	130	2 x 1/2"
$\varnothing d$ inch	$\varnothing d$ mm	H mm	L mm	M mm	P-mm	Holes drilling



Approved by:
Lloyds Register of Shipping
Det Norske Veritas
Bureau Veritas

Testing: Pressure side 5 at.
Material: Plug - Bronze
Body & gland - Meehanite

This drawing is for guidance only. Other sizes, materials, flange standards, settings, and versions are available. Request a specific quotation or approval drawing before implementing data.