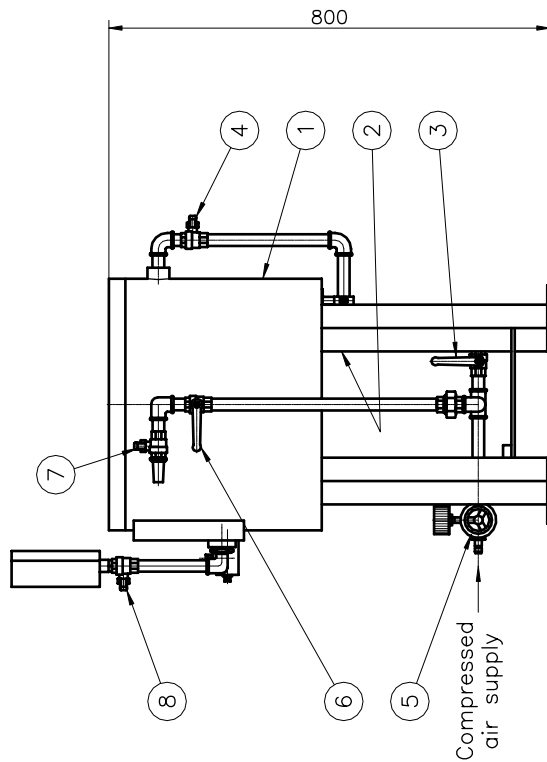


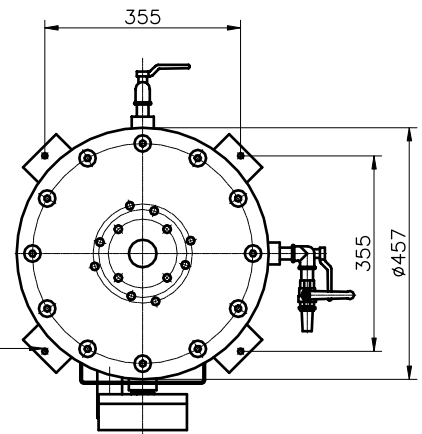
Drilling for test valves

Flange DN	PCD mm	Holes	
		qty.	size
50	125	4	M16
80	160	4	M16
100	180	4	M16

For larger valves, request tapered piece



4 pcs $\varnothing 10$



9	Manometer
8	Shut Down Valve
7	Depressurization Valve
6	Shut Down Valve
5	Reduction Valve
4	Vacuum Shut Down Valve
3	Vacuum Educator Shut Down Valve
2	Vacuum Educator
1	50l Test Tank
Pos.	Part

PRES-VAC	Date: 021211	Drwg.: AP
	Model: -	Scale: 2
Drw. Rev.: Material: 1		-
Drwg. no.:		2366-1

Test Rig
type TRM for
p/v-Valves