

Type VO 2324, VOD 2345 and SC 2347

Covers for venting and sampling

Venting covers type VO and VOD are specially designed for reversed venting where cargo vapors are vacuum collected in gas-freeing operations, in particular for ADNR tankers. Another use is for gas return systems operating during tank washing.



Venting cover type VO in ADNR execution



Venting cover type VOD in ADNR execution



Sampling cover type SC

Types VO and VOD provide safe operation for reversed venting by means of flame arresters, not flame screens, thus allowed for both inerted and non-inerted vessels. Both covers feature a rigid design with few parts, all manufactured to high quality standards to ensure minimum leakage within applicable clean air acts for the normal field of application, European waterways. The internally located flame arrester can easily be swung out for inspection or sampling and is self-closing for safety reasons. Use of type VO and VOD depends on type of vessel and gas group. As standard, the covers are prepared for customs sealing when in transit. Type SC is a self-closing cover designed for sampling. This cover is prepared for customs sealing when in transit, too.

Features of type VO 2324,

- VOD 2345 and SC 2347:
- High quality for low leakage
- Few parts
- Easy installation
- Easy replacement of packings
- Self-closing flame arrester unit
- Suitable for any cargo with correct packing
- Simple and rigid design
- Suitable for customs inspection and sealing

Options: See specification

Covers for reversed venting and sampling

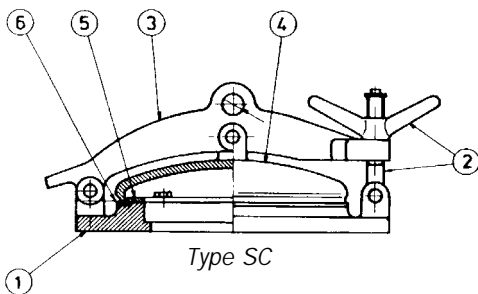
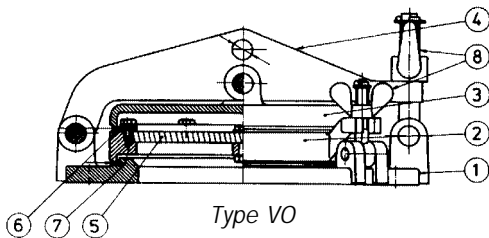
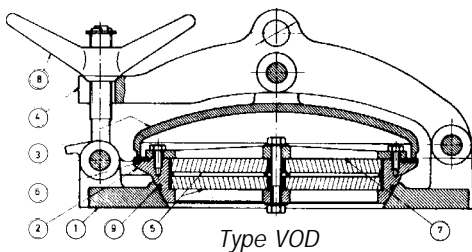
Specifications:
Type: VO 2324 and VOD 2345 SC 2347
Dimensions: See drawing nos. 2324, 2345 and 2347
Capacity:* See certified curves
Pressure drop: See certified curves

Materials: Cast iron, nodular iron, bronze, stainless steel

Nominal sizes: ND100-200
Options: Heating jacket, PTFE packings.

Certification: For some applications approved by PTB. For other applications by appropriate governmental administrations.

*To be determined with due consideration to vessel specification.
 **To be determined with due consideration to the physical properties of the gas.



Available with any connection and in any material requested. Please ask for detail drawing and performance data sheets for any specific model and type.

Item	Description
1	Flange
2	Venting cover
3	Cover
4	Clamp
5	Flame arresters
6	Gasket
7	Retaining ring
8	Locking device

Item	Description
1	Flange
2	Venting cover
3	Cover
4	Clamp
5	Filter Element
6	Gasket
7	Retaining ring
8	Locking device
9	O-ring

Item	Description
1	Flange
2	Locking device
3	Clamp
4	Cover
5	Retaining ring
6	Gasket

drwg. no.:	2324		
date:	910216	drwg.:	AP
model:	-	scale:	-
drw. rev.:	1	material:	-

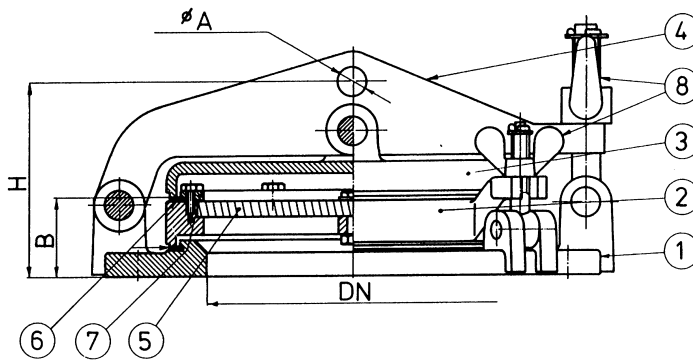
Type V0

Cover for venting

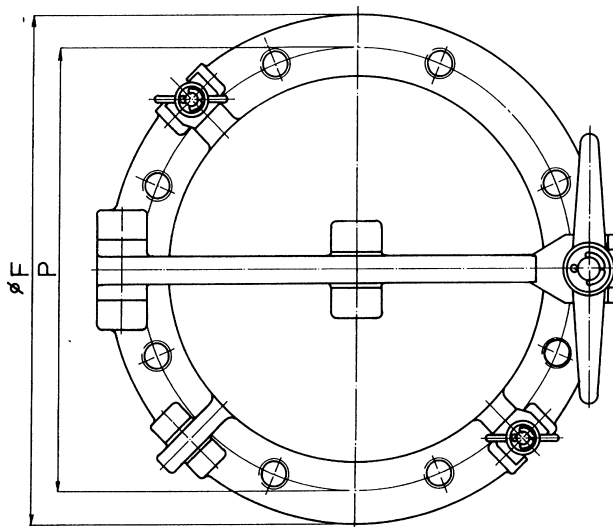
Other standards available

200	8	130	53	20	340	295	8xM20
150	6	130	51	20	285	240	8xM20
100	4	115	50	20	220	180	8xM16
DH mm	DH inch	H mm	B mm	°A mm	°F mm	P-mm drilling	Holes

This drawing is for guidance only. Other sizes, materials, flange standards, settings, and versions are available. Request a specific quotation or approval drawing before implementing data.



Item 2 is self-closing



Parts list

Item	Description	Spec. 1	Spec. 2	Spec. 3
1	Flange	Cast iron	Bronze	Stainless steel
2	Venting cover	Cast iron	Bronze	Stainless steel
3	Cover	Cast iron	Bronze	Stainless steel
4	Clamp	Bronze	Bronze	Stainless steel
5	Flame arrester	Stainless steel	Stainless steel	Stainless steel
6	Gasket	Neoprene	Neoprene	PTFE
7	Retaining ring	Steel	Steel	Stainless steel
8	Locking device	Bronze	Bronze	Stainless steel

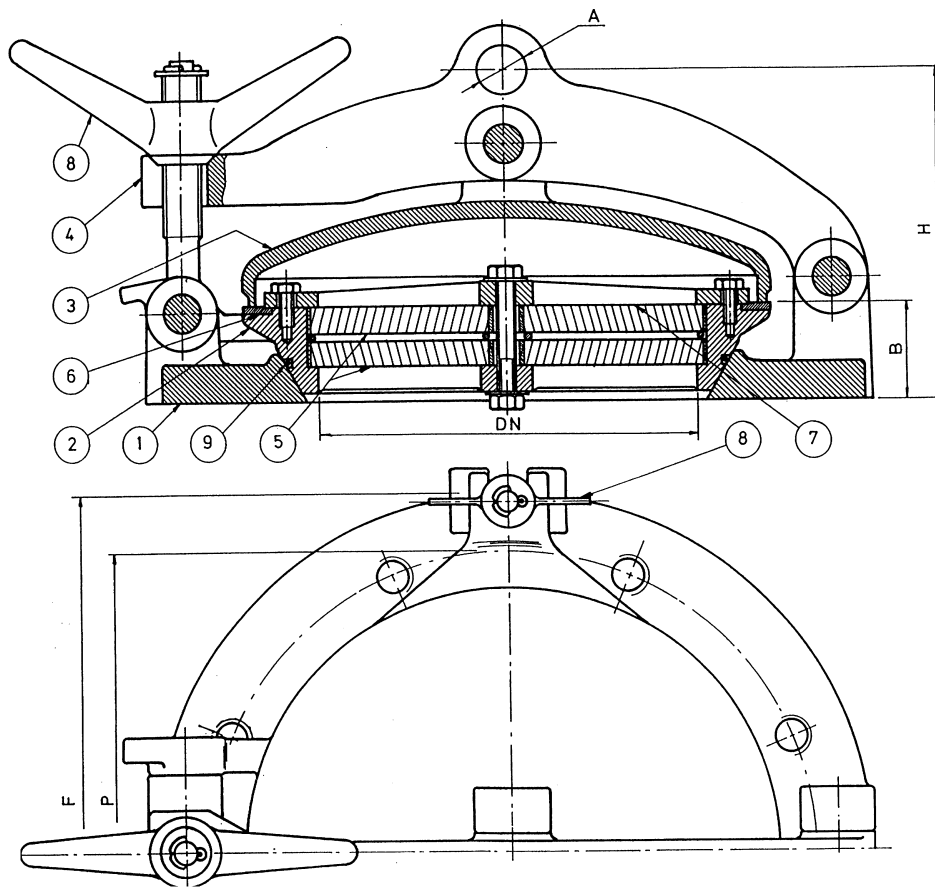
drwg. no.:	2345
date:	860929
model:	-
drw. rev.:	1
drwg.:	FM
scale:	-
material:	-

Type VOD

Cover for venting

Other standards available

6	150	130	37	20	285	240	M20
DH	DH	H	B	A	F	P-mm	Holes
inch	mm	mm	mm	mm	mm	drilling	



Item 2 is self-closing

Parts list

Item	Description	Spec. 1	Spec. 2	Spec. 3
1	Flange	Cast iron	Bronze	Stainless steel
2	Venting cover	Cast iron	Bronze	Stainless steel
3	Cover	Cast iron	Bronze	Stainless steel
4	Clamp	Bronze	Bronze	Stainless steel
5	Filter element	Stainless steel	Stainless steel	Stainless steel
6	Gasket	Neoprene	Neoprene	PTFE
7	Retaining ring	Bronze	Bronze	Stainless steel
8	Locking device	Bronze	Bronze	Stainless steel
9	O-ring	Neoprene	Neoprene	PTFE

This drawing is for guidance only. Other sizes, materials, flange standards, settings, and versions are available. Request a specific quotation or approval drawing before implementing data.

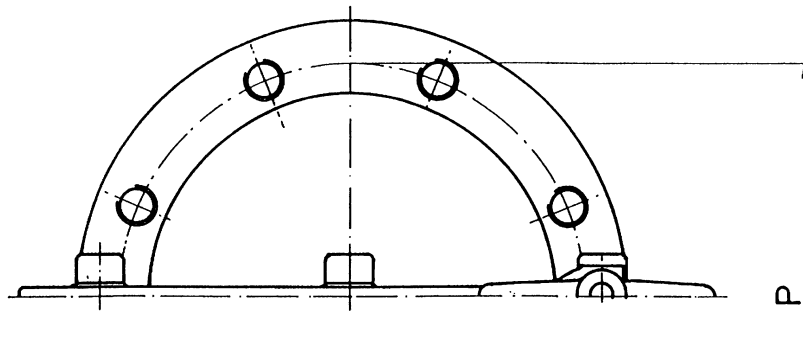
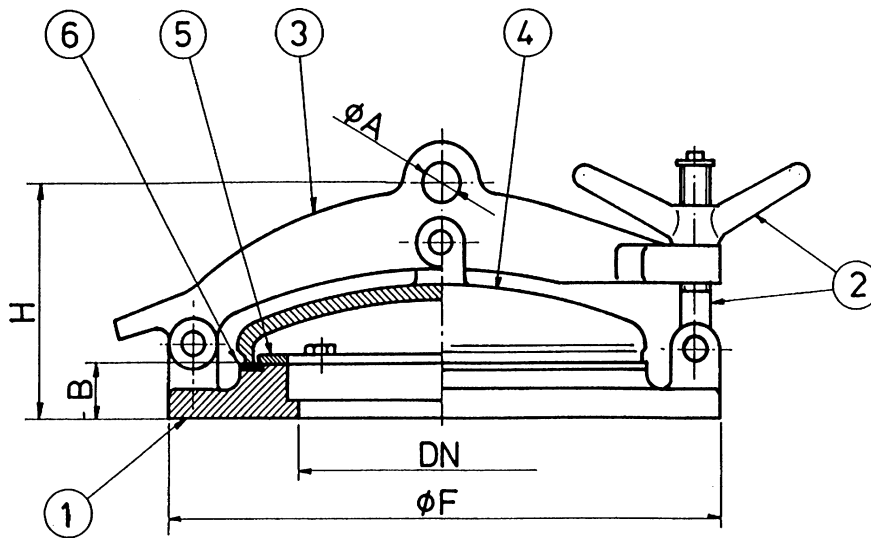
drwg. no.:	2347
date:	861117
model:	-
dr/w. rev.:	1
drwg.:	HHP
scale:	-
material:	-

Type SC

Self-closing sample cover

Other standards available

6	150	28	120	20	285	240	8xM20
DN mm	DN inch	B mm	H mm	°A mm	°F mm	P-mm drilling	Holes



This drawing is for guidance only. Other sizes, materials, flange standards, settings, and versions are available. Request a specific quotation or approval drawing before implementing data.

Parts list

Item	Description	Spec. 1	Spec. 2	Spec. 3	Spec. 4
1	Flange	Cast iron	Bronze	Stainless steel	Combinations of Spec. 1-2-3
2	Locking device	Bronze	Bronze	Stainless steel	
3	Clamp	Bronze	Bronze	Stainless steel	
4	Cover	Cast iron	Bronze	Stainless steel	
5	Retaining ring	Bronze	Bronze	Stainless steel	
6	Gasket	Nitrile NBR	Nitrile NBR	PTFE	